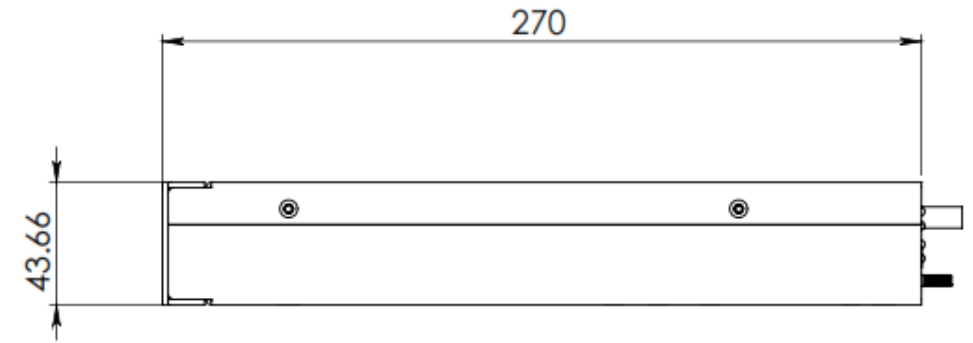
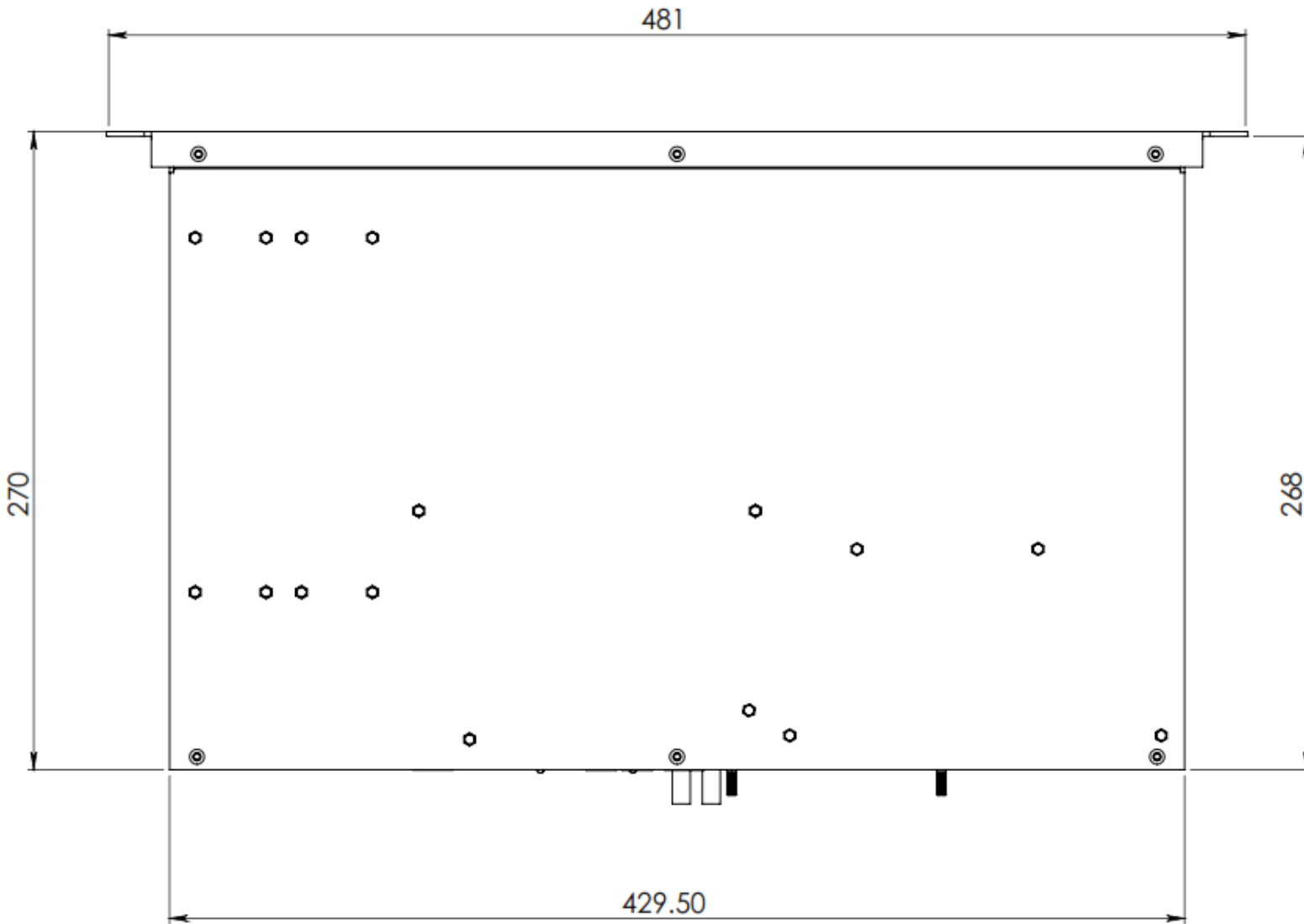


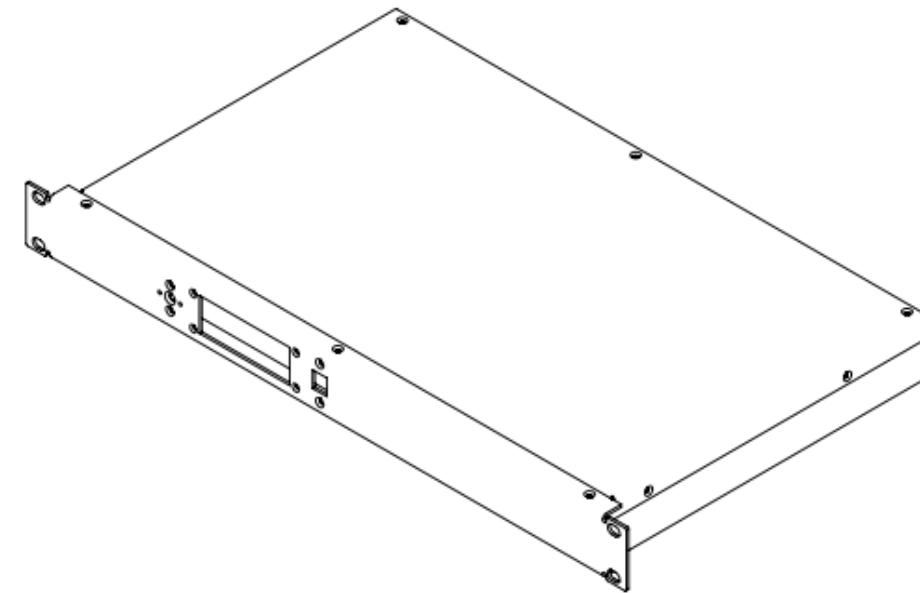
Front View




Side View



Top View



	Product	NTS 03-E & TCG 02-G Case	Project:		Date:	10/02/2016	
			Title:	19" 1U Case	Revision:	001	
					Drawing #:	001	
					Drawn by:	QG	